



Short Description



- Stainless steel IP68 single point load cell
- Suitable for single load cell structured platform scales
- High accuracy
- Maximum platform size: 600 x 600 mm

Non OIML approved

Available Models

Capacity	Accuracy	Full Article Description
50kg	C3	BM6E-C3-50kg-2B-W1
100kg	C3	BM6E-C3-100kg-2B-W1
200kg	C3	BM6E-C3-200kg-2B-W1
300kg	C3	BM6E-C3-300kg-2B-W1

Specifications and dimensions are subject to change without notice and do not constitute any liability whatsoever.

Technical Specifications BM6E-C3-xxkg-2B-W1

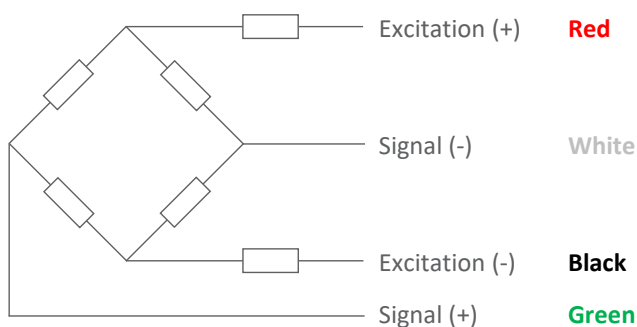
Accuracy Class		C3		
Output Sensitivity (= FS)	mV/V	2.0 ± 0.2		
Maximum Capacity (E _{max})	kg	50	100, 200	300
Max. Number of Load Cell Intervals	n _{LC}	3000		
Ratio of min. LC Verification Interval	Y = E _{max} / v _{min}	10000		
Combined Error	%FS	≤± 0.023		
Creep Error (30 minutes)	%FS	≤± 0.016		
Temperature Effect on Zero (ZTC)	%FS/10°C	≤± 0.015		
Temperature Effect on Sensitivity (STC)	%FS/10°C	≤± 0.011		
Zero Balance	%FS	≤± 1.5		
Safe Overload	%FS	150		
Ultimate Overload	%FS	300	250	200
Eccentric Loading Error	%Ld/cm	± 0.002		
Excitation, Recommended Voltage	V	5 ~ 12		
Excitation, Maximum Voltage	V	18		
Input Resistance	Ω	350 ± 30		
Output Resistance	Ω	351 ± 2.0		
Insulation Resistance (50V)	MΩ	≥5000		
Compensated Temperature	°C	-10 ~ + 40		
Operating Temperature	°C	-35 ~ + 65		
Storage Temperature	°C	-40 ~ + 70		
Load Cell Weight	kg	~1.4		
Element Material		Stainless Steel		
Ingress Protection (acc. to EN 60529)		IP68		
Recommended Torque on Fixation Bolts	Nm	M6: 10		

Wiring

Features:

Cable type: Shielded, 4 conductor cable , conductor AWG 21
 Cable diameter: Ø 5.0mm
 Cable length: 2.0m ± 0.1m
 Cable jacket: Polyurethane
 Shield not connected to element

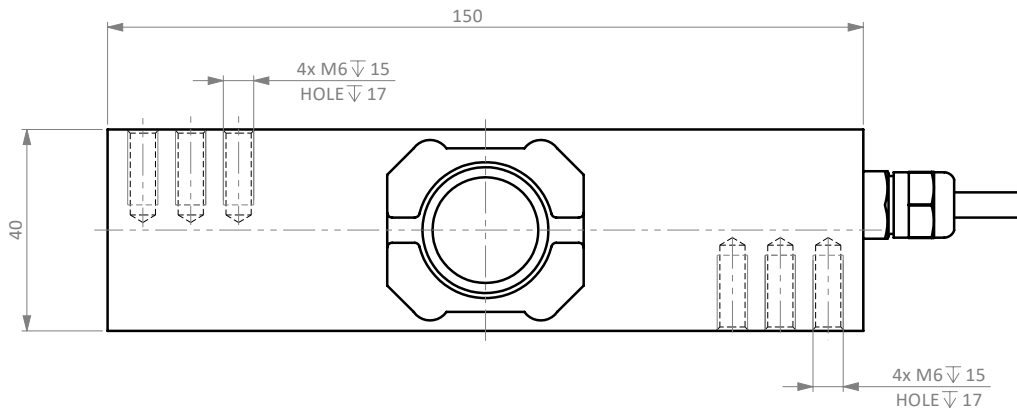
4-Wire Connection Diagram



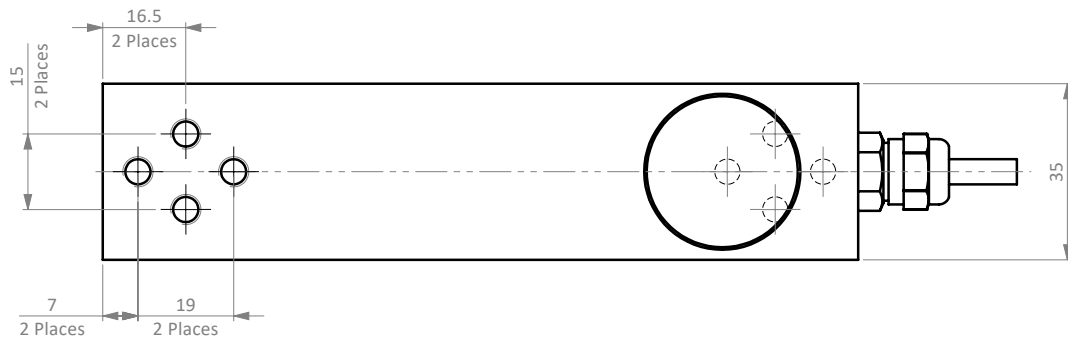
Type BM6E -W1 Load Cell

Dimensions in mm

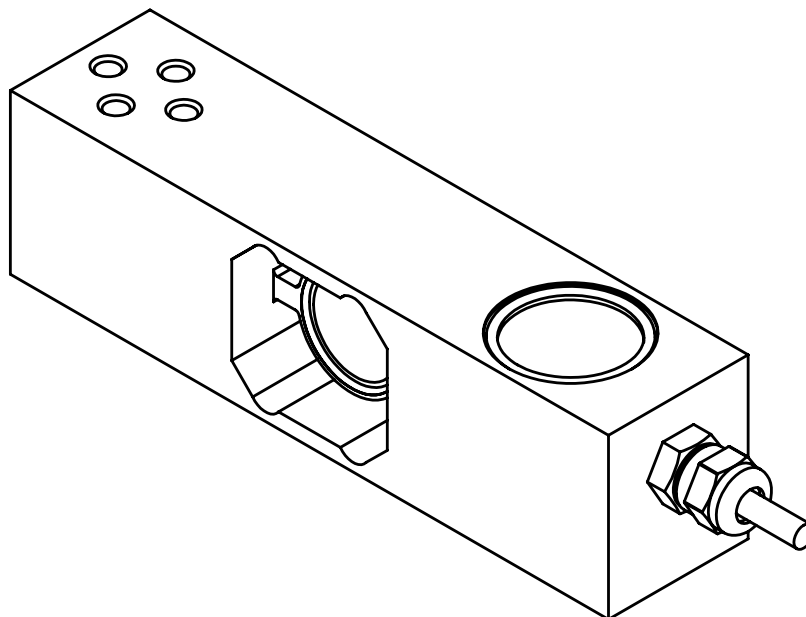
Front View



Top View



Isometric View



Specifications and dimensions are subject to change without notice and do not constitute any liability whatsoever.