



Short Description



- Stainless steel IP67 single point load cell
- Bending beam
- Suitable for mobile weighing systems, garbage trucks, belt scales, container and tank scales, etc.
- Recommended maximum platform size:
 - for 150kg: 400 x 400 mm
 - for 250kg – 500kg: 600 x 800 mm
 - for 750kg – 2t: 1200 x 1200 mm



Test certificate no. TC7867 Revision 0
C of C no R60/2000-NL1-10.31

Available Models

Capacity	Accuracy	Full Article Description
150kg	C3 (Excluded from OIML)	B6F-C3-150kg-3B6
250kg	C3 (Excluded from OIML)	B6F-C3-250kg-3B6
500kg	C3	B6F-C3-500kg-3B6
750kg	C3	B6F-C3-750kg-3B6
1000kg	C3	B6F-C3-1000kg-3B6
2000kg	C3	B6F-C3-2000kg-3B6

Specifications and dimensions are subject to change without notice and do not constitute any liability whatsoever.

Technical Specifications B6F

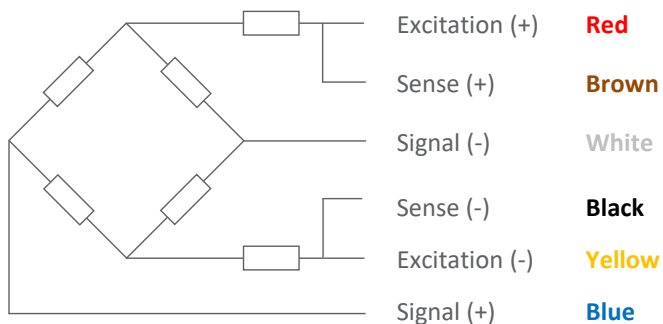
Accuracy Class		C3	OIML R60 C3
Output Sensitivity (= FS)	mV/V	2.0 ± 0.2	
Maximum Capacity (E _{max})	kg	150, 250	500, 750, 1000, 2000
Max. Number of Load Cell Intervals	n _{LC}	3000	
Ratio of min. LC Verification Interval	Y = E _{max} / v _{min}	10000	12000
Combined Error	%FS	≤± 0.023	
Creep Error (30 minutes)	%FS	≤± 0.0245	
Temperature Effect on Zero (ZTC)	%FS/10°C	≤± 0.014	
Temperature Effect on Sensitivity (STC)	%FS/10°C	≤± 0.011	
Zero Balance	%FS	≤± 1.5	
Safe Overload	%FS	150	
Ultimate Overload	%FS	300	
Eccentric Loading Error	%Ld/cm	± 0.002	
Excitation, Recommended Voltage	V	5 ~ 12	
Excitation, Maximum Voltage	V	18	
Input Resistance	Ω	384 ± 4	
Output Resistance	Ω	350 ± 3	
Insulation Resistance (50V)	MΩ	≥5000	
Compensated Temperature	°C	-10 ~ + 40	
Operating Temperature	°C	-35 ~ + 65	
Load Cell Weight	kg	150kg – 500kg: ~4.8	750kg – 2t: ~9.5 – 10.4
Element Material		Stainless Steel	
Ingress Protection (acc. to EN 60529)		IP67	
Recommended Torque on Fixation Bolts	Nm	M12: 100	M16:160
ATEX Classification (optional)		II 1G Ex ia IIC T4 Ga	II 1D Ex ia IIIC T ₂₀₀ 135°C Da II 3G Ex ic IIC T4 Gc

Wiring

Features:

Cable type: Shielded, 6 conductor cable , conductor AWG 24
 Cable diameter: Ø 6.2mm
 Cable length: 3.0m
 Cable jacket: PVC
 Shield not connected to element

6-Wire Connection Diagram

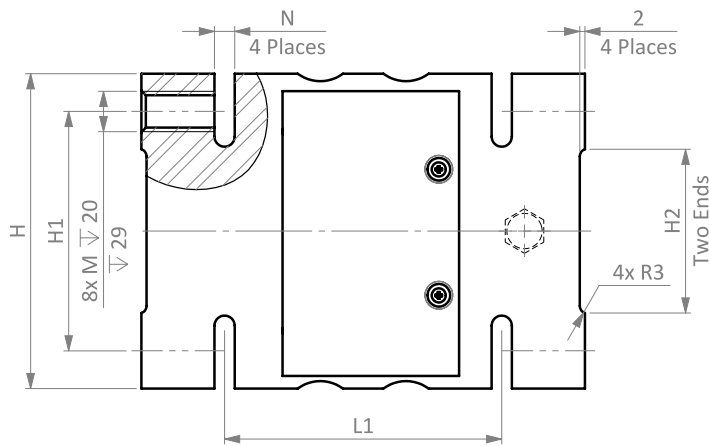


Specifications and dimensions are subject to change without notice and do not constitute any liability whatsoever.

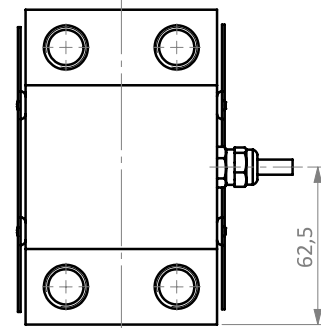
Type B6F Load Cell

Dimensions in mm

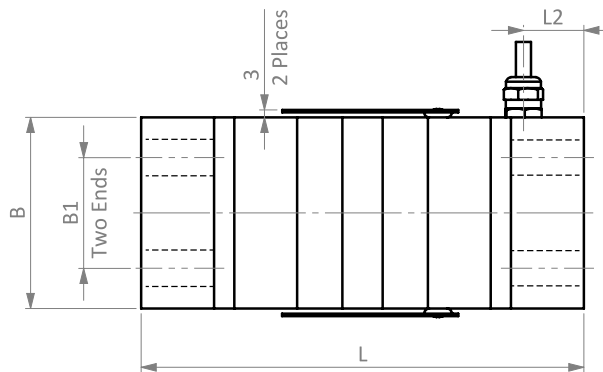
Front View



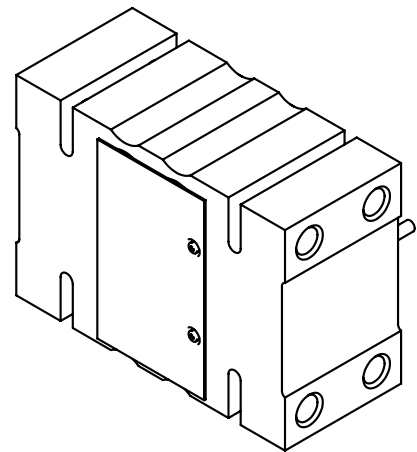
Side View



Top View



Isometric View



Dimension Capacity	B	B1	H	H1	H2	L	L1	L2	M	N
150kg	44	24	75	50	30	156	112	14	M12	5
250 – 500kg	60	36	95	70	30	146	110	11	M12	5
750kg – 2000kg	76	46	125	95	65	176	110	24	M16	8