



Short Description



- Aluminium-alloy IP65 single point load cell
- Colourless anodized
- Suitable for mobile weighing systems, floor scales, belt scales, hopper and tank scales, etc.
- Maximum platform size:
 - for 50kg – 200kg: 600 x 600 mm
 - for 250kg – 500kg: 600 x 800 mm
 - for 750kg – 2000kg: 1200 x 1200 mm



Test certificate no. D09-06.10
C of C no R60/2000-CN1-06.01

Available Models

Capacity	Accuracy	Full Article Description
50kg	C3	L6F-C3-50kg-3B6
100kg	C3	L6F-C3-100kg-3B6
150kg	C3	L6F-C3-150kg-3B6
200kg	C3	L6F-C3-200kg-3B6
250kg	C3	L6F-C3-250kg-3B6
500kg	C3	L6F-C3-500kg-3B6
750kg	C3	L6F-C3-750kg-3B6(-W1)
1000kg	C3	L6F-C3-1000kg-3B6
2000kg	C3	L6F-C3-2000kg-3B6

Specifications and dimensions are subject to change without notice and do not constitute any liability whatsoever.

Technical Specifications L6F

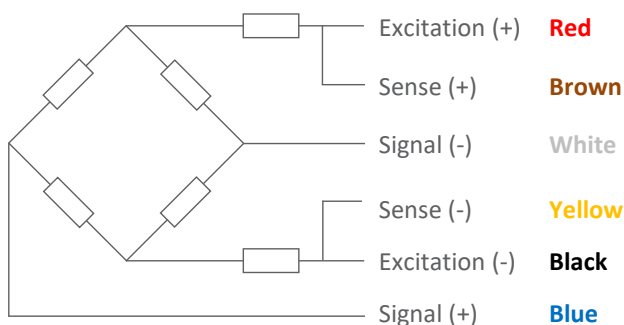
Accuracy Class		OIML R60 C3		
Output Sensitivity (= FS)	mV/V	2.0 ± 0.2		
Maximum Capacity (E _{max})	kg	50, 100, 150, 200, 250, 500, 750, 1000, 2000		
Max. Number of Load Cell Intervals	n _{LC}	3000		
Ratio of min. LC Verification Interval	Y = E _{max} / v _{min}	7000		
Combined Error	%FS	≤± 0.02		
Creep Error (30 minutes)	%FS	≤± 0.0167		
Temperature Effect on Zero (ZTC)	%FS/10°C	≤± 0.02		
Temperature Effect on Sensitivity (STC)	%FS/10°C	≤± 0.0175		
Zero Balance	%FS	≤± 2.0		
Safe Overload	%FS	120		
Ultimate Overload	%FS	150		
Maximum Deflection	mm	50kg: ~0.21	250kg: ~0.34	2t: 0.4 ~ 0.5
Eccentric Loading Error	%Ld/cm	± 0.002		
Excitation, Recommended Voltage	V	5 ~ 12		
Excitation, Maximum Voltage	V	18		
Input Resistance	Ω	406 ± 6		
Output Resistance	Ω	350 ± 3		
Insulation Resistance (50V)	MΩ	≥5000		
Compensated Temperature	°C	-10 ~ + 40		
Operating Temperature	°C	-35 ~ + 65		
Storage Temperature	°C	-40 ~ + 70		
Load Cell Weight	kg	50kg - 200kg: ~1.1	250kg - 500kg: 1.8	750kg - 2t: 3.7
Element Material		Aluminium		
Ingress Protection (acc. to EN 60529)		IP65		
Recommended Torque on Fixation Bolts	Nm	M12: 100	M16: 160	

Wiring

Features:

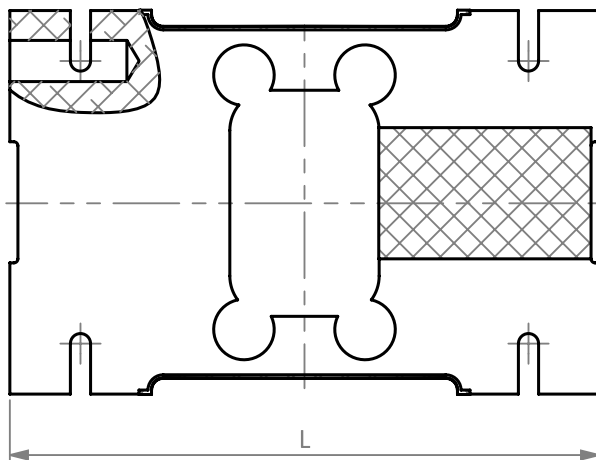
Cable type: Shielded, 6 conductor cable , conductor AWG 24
 Cable diameter: Ø 6.2mm
 Cable length: 3.0m
 Cable jacket: PVC
 Shield not connected to element

6-Wire Connection Diagram

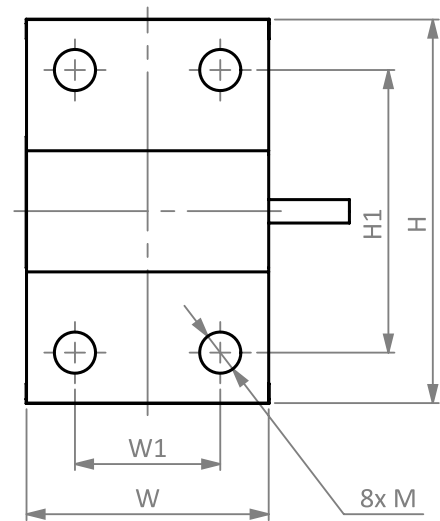


Dimensions in mm

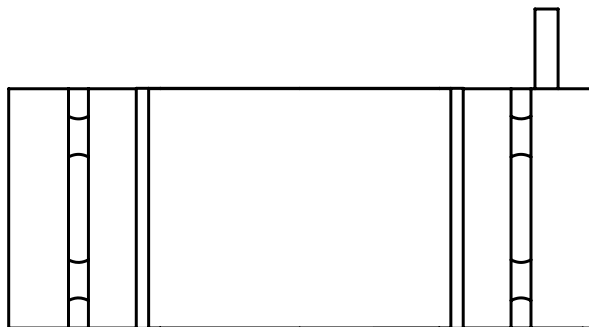
Front View



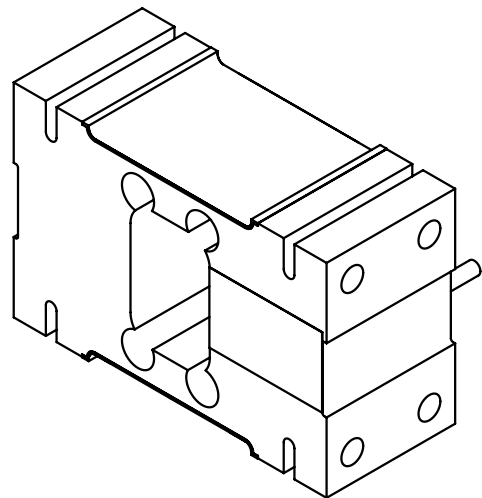
Side View



Top View



Isometric View



Dimension \ Capacity	H	H1	L	W	W1	M
50kg – 200kg	75	50	156	44	24	M12
250kg – 500kg, 750kg-W1	95	70	146	60	36	M12
750 – 2000kg	125	95	176	76	46	M16

Specifications and dimensions are subject to change without notice and do not constitute any liability whatsoever.