
*
*
*
*
*
*
*
*
*
*
*
*
*
*
*
*
*
*
*
*

SJ-E series

Relay contact interface

Operation manual

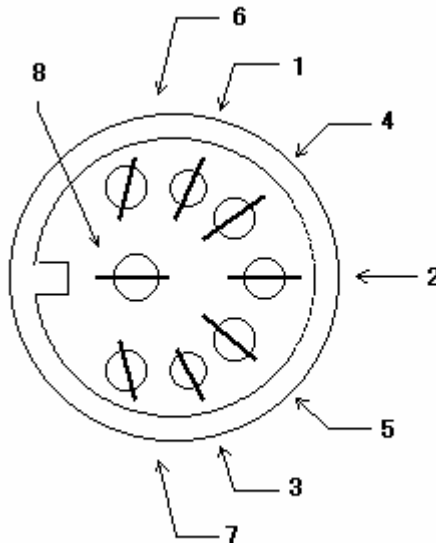
1. Pin numbers & Functions of Connector (Relay contact connector:8P)

1-1) Pin numbers & functions

Pin No.	Signal	Input/output	Functions
1			Blank
2			Blank
3	COM	Out	Common Contact
4			Blank
5			Blank
6	HI	Out	a-contact, ON for HIGH data
7	OK	Out	a-contact, ON for GOOD data
8	LO	Out	a-contact, ON for LOW data

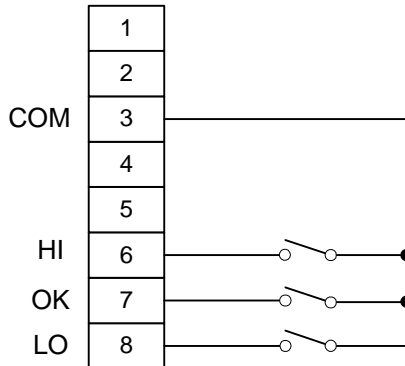
Applicable Plug:TCP0586-01-0201(Hoshiden) included.

DIN 8Pin connector:Rear-panel



1-2) Relay contact circuit

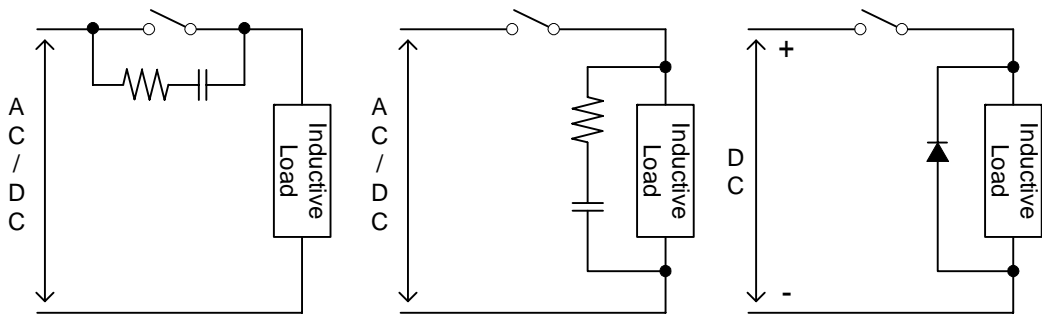
Output layout on DIN 8-Pin plug



a-contacts for HI,OK & LO

Contact capacity
 Maximum switching voltage: AC 50V
 DC 30V
 Maximum switching current: 500mA

1-3) Positioning of inductive load in the relay output circuit



A spark quenching circuit shall be added when an inductive load is connected.

2. Function setting for Relay contact

As to details of function settings, refer to the operation manual of a balance.
Function settings for relay contact is explained herein assuming the below conditions.

Setting conditions for relay contact function (assumed conditions)

- Constant judging
- Judging all areas including zero point
- Judging HI/OK/LO

Note : stands for factory setting.

2-1) Operation of the limit function

Item	Set value	Description
Limit function	25EL	0 Disable
		1 Enable

2-2) Setting of judging conditions

Item	Set value	Description
Judging conditions	21C0	1 Constant judgment (Judging even when unstable)
		2 Judging only when stable (No judging when unstable)

2-3) Setting of Judgment range

Item	Set value	Description
Judgment range	22L	0 Judging the range beyond +5 divisions (No judging less than +5 divisions or negative)
		1 Judging all area (Judging all area including negative)

2-4) Setting of judgment points

Item	Set value	Description
Judgment points	23P	1 Judging one point setting (OK/LO)
		2 Judging HI/OK/LO

2-5) Setting of high and low limit values

As to this settings, refer to "Limit function" in the operation manual of a balance.